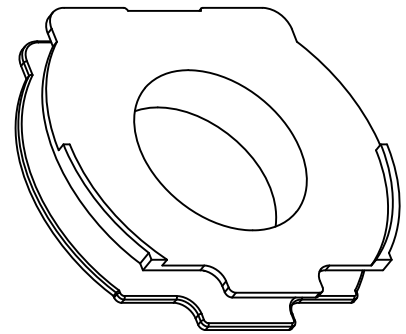
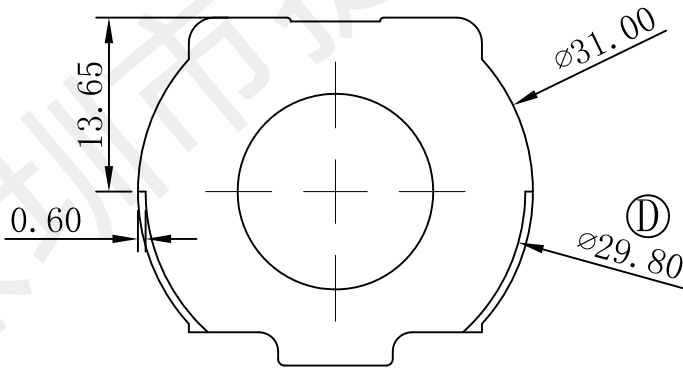
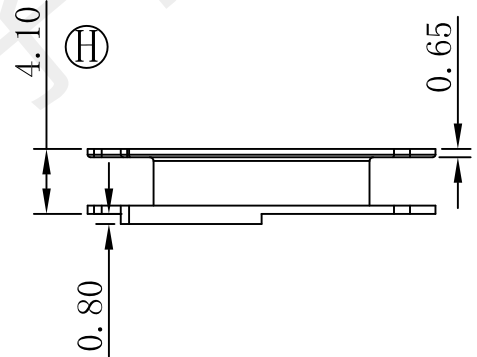
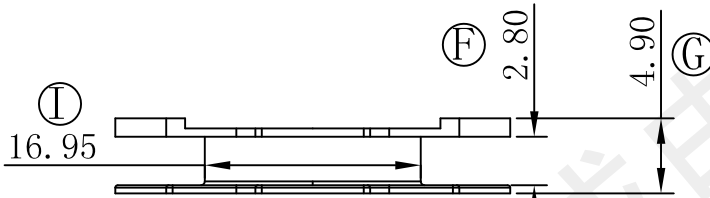
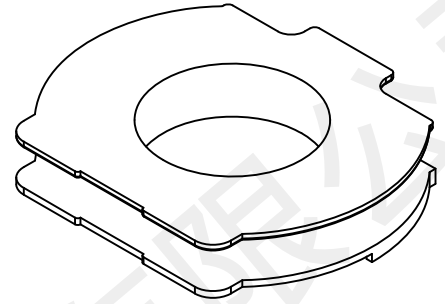
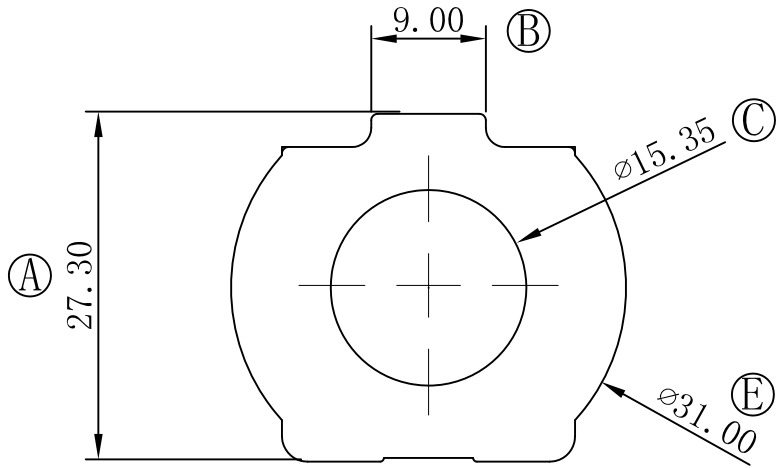


型号

PQ-3530-4



REV	DATE	REVISIONS REC

深圳市捷达成电子有限公司

SHENZHEN JIE DA CHENG ELECTRONICS CO.,LTD.

TEL:0755-27317730 FAX:0755-27317731

ANGLE:
+/-1°

MODEL NAME:
PQ-3530-4

UNIT:
MM

UL REC:
UL 94V-0

BOBBIN MATERIAL:
PM-9630

DRAFTER L.R.J

TOLERANCE

SCALE:
4/1

PIN TENSION LOAD:

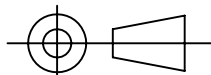
PIN MATERIAL:

0<L<4 ±0.1

4<L<16 ±0.2

16<L<50 ±0.3

PIN PITCH ±0.2



DATE:
2021-02-24

DRAWING NO:
PQ-3530

REV:
1.0